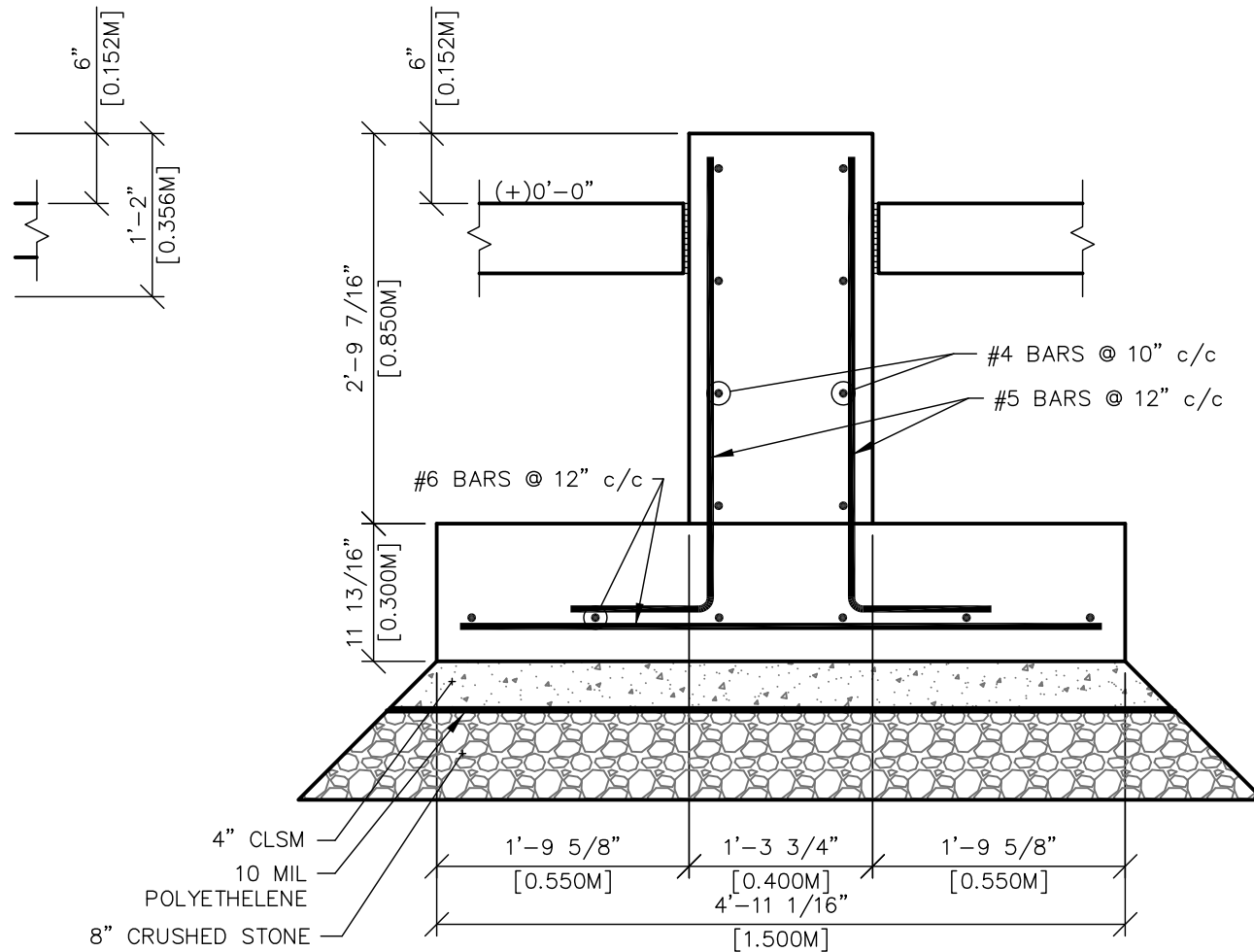
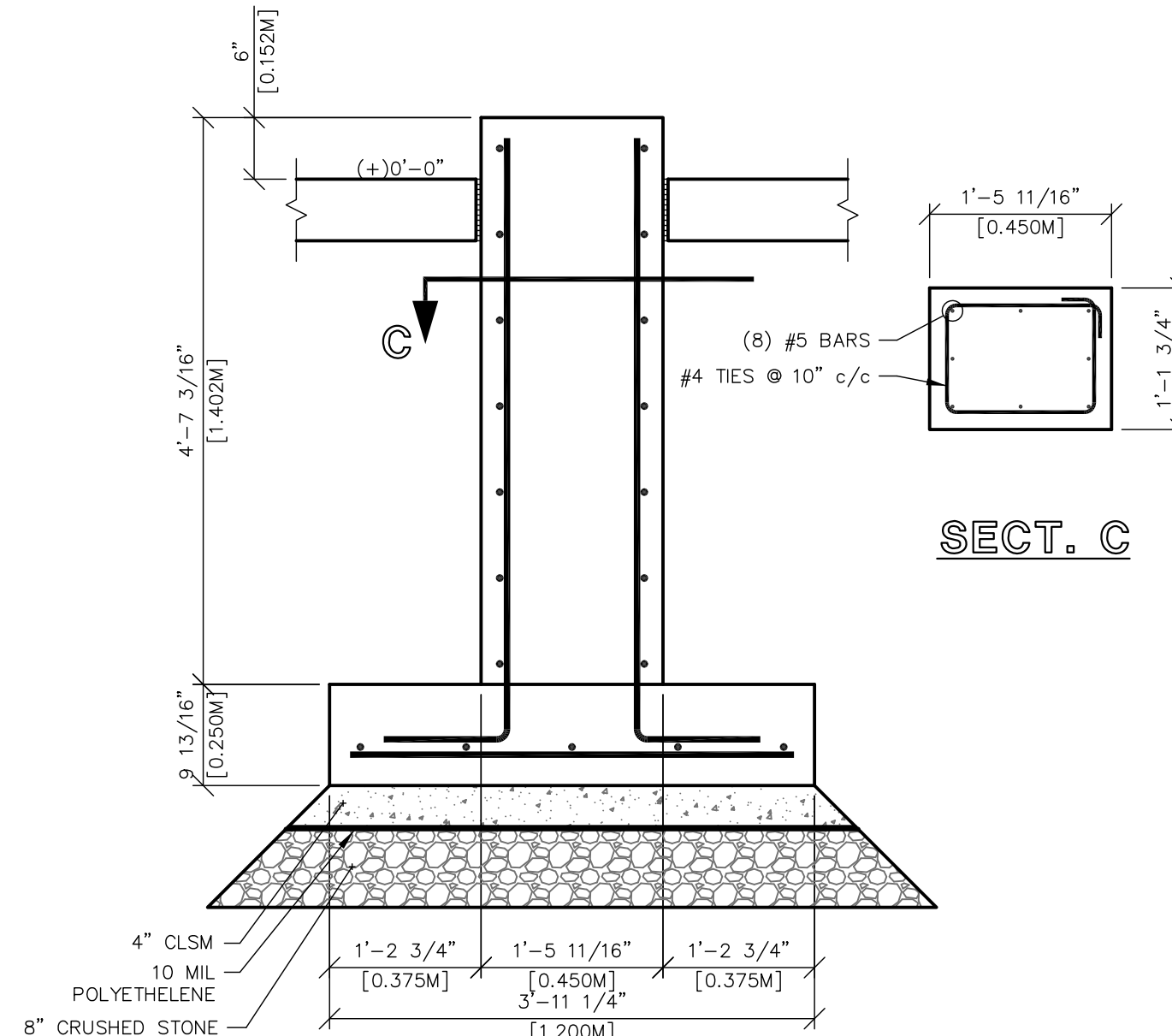


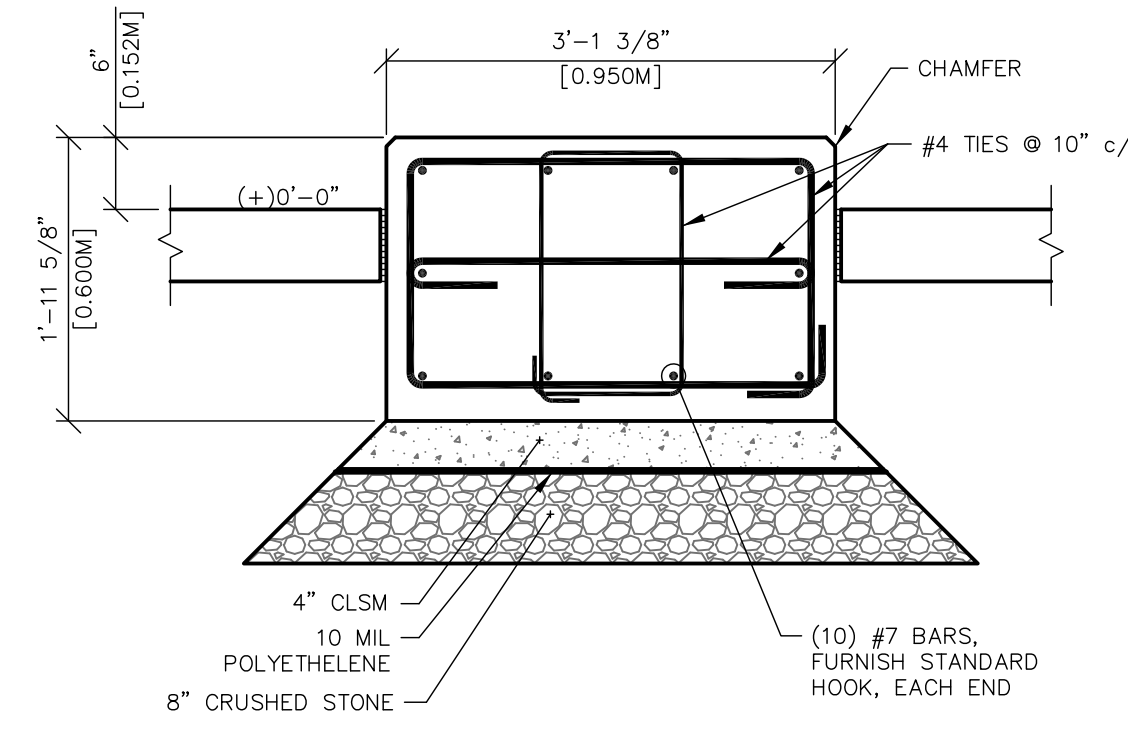
**TFH LAYOUT**



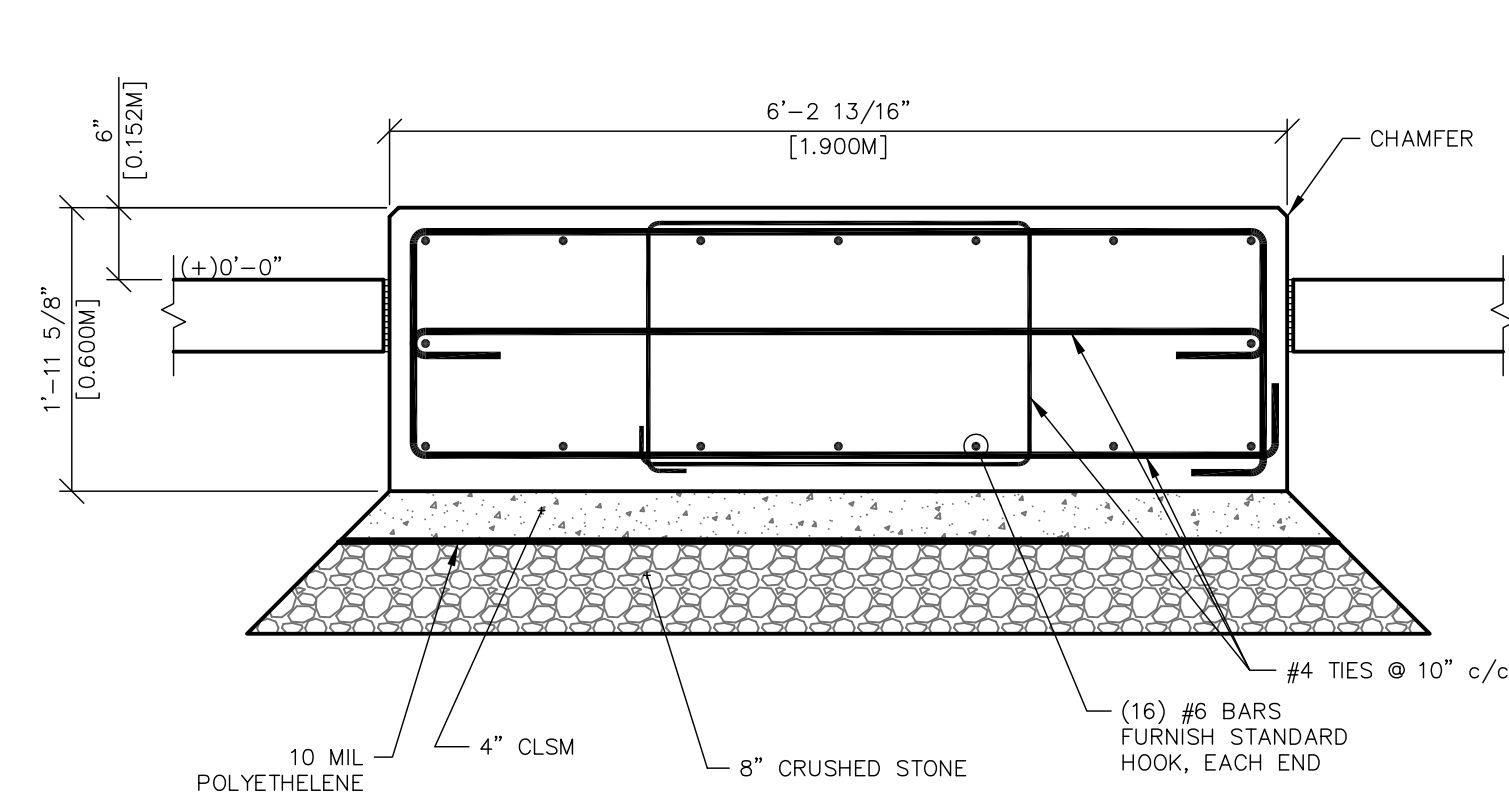
**2 SECTION**  
PS512 TFH PAD



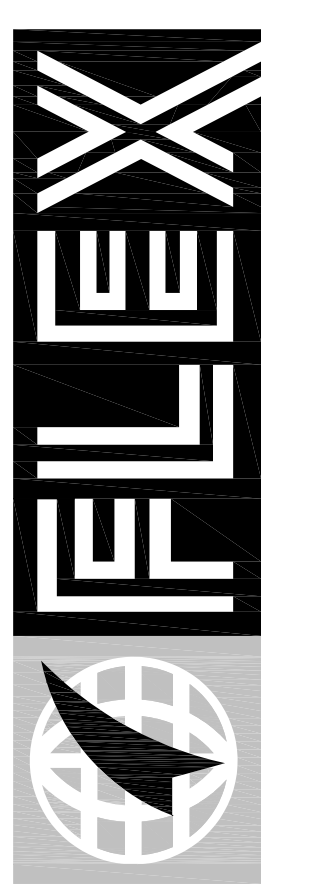
**3 SECTION**  
PS512 TFH PAD



**4 SECTION**  
PS512 TFH PAD



**5 SECTION**  
PS512 TFH PAD



**FLEX FILMS (USA) INC.**  
1221 NORTH BLACK BRANCH ROAD  
ELIZABETHTOWN, KENTUCKY 42702  
PROJECT L-12 BOPET U.S.A.

DATE	11-15-11	REVISION	NUMBER TWO
PROJECT NO.	9529-02	DESIGNED BY	EFH
DESIGNED BY	EFH	DRAWN BY	SP7 EFH
CHECKED BY	FH	REVIEWED BY	JULY 2011
DATE	JULY 2011	SCALE	AS NOTED

**nse** OF KENTUCKY, INC.  
Engineers  
Architects  
Planners  
Phone: (609)223-5694  
624 Wellington Way  
Lexington, KY 40523  
Fax: (609)223-5697  
www.nseinc.com

**DRAWING NO.**  
UFL-L12  
PS-029